



# Installation Manual-Rev.A

## For All Models Of AIR-ZENITH OB2 Air Compressors

Congratulations! Thank you for purchasing the world's fastest DC 12-Volt air compressor by AIR-ZENITH. Air-Zenith quality products are manufactured by the people who know pneumatic air suspension systems inside and out. Our R&D people take pride in doing it right the first time, every time. This installation manual will help guide you through the proper and safe installation of your compressor to ensure years of reliable service. Thank you for your support!

**PLEASE READ THIS MANUAL CAREFULLY BEFORE OPERATING THIS PRODUCT.**

### MODELS

- AZ-OB2

### PRODUCT SPECIFICATIONS

- Motor Voltage: DC 12-Volt
- Max. Amp Draw: 35A
- Max. Working Pressure: 200 PSI
- Duty Cycle: 100% (@200PSI/72°F)
- Max. Ambient Air Temp.: 158°F
- Min. Ambient Start Temp: -40°F
- Motor Type: Permanent Magnetic
- Thermal Protector: Yes

### STANDARD FEATURES

- Oil-free design, non-lube piston & cylinder
- Patented Interchangeable Piston Technology
- Long-life, PTFE compound piston ring
- Balanced connecting rod, low vibration, low sound levels
- Direct driven motor with automatic reset thermal overload protector
- Waterproof cooling fan
- ½-inch stainless steel braided air hose with ½-inch NTP air tank fitting
- Heavy duty inline check valve
- Remote mountable weatherproof air filter
- 80A heavy duty relay with pre-wired relay socket
- Integrated 3-position mounting brackets with NYLOCK self-locking mounting hardware



\* Image shown above is a side mounted Air-Zenith OB2 BLACK (P/N: AZOB2K).

***WWW.AIR-ZENITH.COM***

## 1. PRE-INSTALLATION NOTES

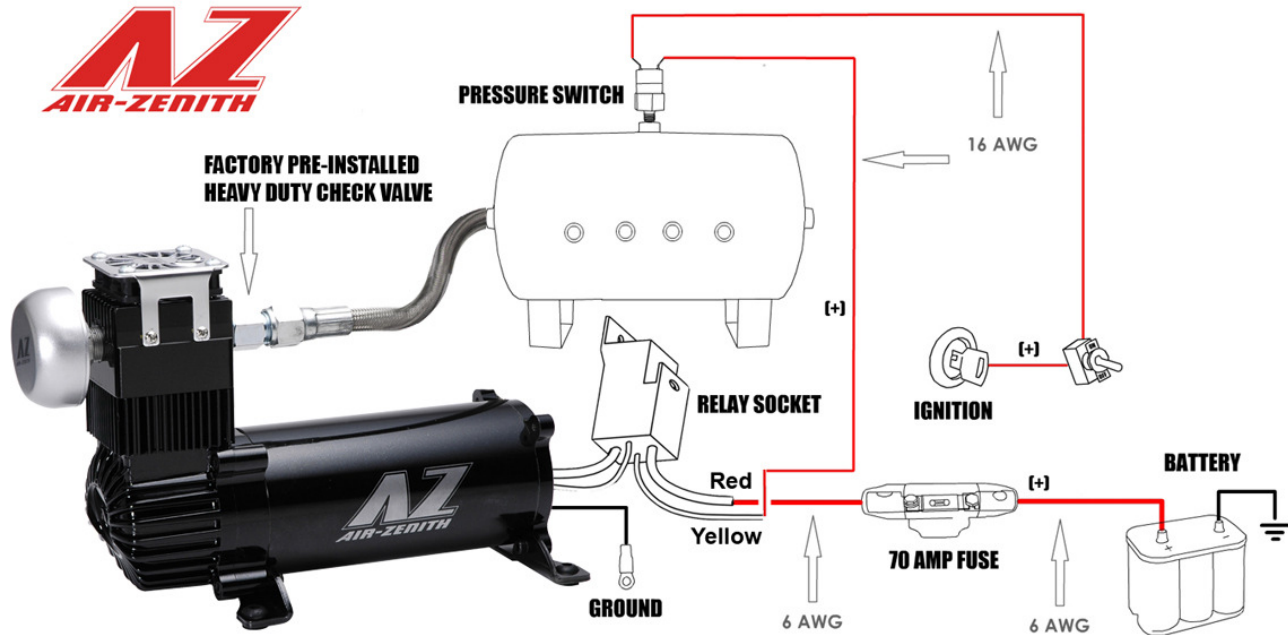
- Air-Zenith products must be installed by a qualified professional installation facility or certified mechanic.
- Product operation and installation the customer's responsibility. Air-Zenith accepts no liability for damage of property or persons caused by operation and installation of this product.
- Air-Zenith accepts no responsibility for products or components provided by other manufacturers for use with or around the Air-Zenith products.
- Disconnect your vehicle's battery before installation. Be sure to wear proper eye and hand protection during installation.
- Do not attempt to disassemble or make modifications or any alterations to this product.
- Make sure that your compressor setup is properly fused. Install a 70A fuse as close to the battery positive post as possible. Note: Air-Zenith does not recommend circuit breakers, a good quality 70A ANL fuse and fuse holder is highly recommended. (See Fig. 1 for standard wiring diagram).
- Choose mounting location that is as cool as possible and away from any heat source. The cooler the ambient temperature the less chance the compressor will overheat.

## 2. INSTALLATION GUIDELINES

- To maximize air compressor performance, mount the compressor as close to the battery as possible so that length of positive power wire is minimum.
- This compressor is moisture & splash resistant, but not water proof! Do not mount compressor in locations where the unit is likely to come in contact with water.
- Mount this compressor with the four sets of NYLOCK self-locking nuts and bolts provided. Use of thread sealant is recommended.
- This compressor comes with pre-wired 80A relay with relay socket. Connect your battery positive power wire to the Red wire on the relay socket. (Run minimum 6AWG wire for wire length runs more than 10 feet, and 8AWG wire for length shorter than 10 feet). Mount this relay socket to a suitable location.
- Install a 200 PSI (or under) pressure switch on the air tank. (Maximum 5-gallon air tank for one compressor). Connect one of the pressure switch wires to Key Ignition positive power wire. Connect the other pressure switch wire to the Yellow wire on the relay socket. (See Fig. 1 for standard wiring diagram).
- This compressor has a pre-installed check valve located at the cylinder head. Do not remove that check valve; connect supplied air hose to the check valve, and then connect air hose to the air tank with supplied 1/2-inch NPT fitting.
- Find a suitable location to ground your compressor. You will want a place clear of paint and debris; you can lightly sand away body paint if needed. Drill a mounting hole for your fastener. Caution: Check below where you will be drilling for any obstacles, wires, or fuel lines. Attach your compressor ground wire and apply a

light coat of grease or paint to keep the connection clean. Note: If possible, route compressor ground wire to your battery negative post for maximum performance.

(Fig. 1 Standard Wiring Diagram)



### 3. OPERATION GUIDELINES

- To prevent unwanted discharge of your vehicle's battery it is strongly recommended to keep your engine running while operating this compressor.
- This compressor is oil-free. Never try to lubricate piston and cylinder with motor oil or WD-40. Make sure cylinder and piston is clean and free of obstruction.
- This compressor comes with one stainless-steel braided air hose and ½-inch fitting. This leader hose is designed to prolong the life of your airline.
- Periodically check all electrical components. Inspect all airline connections for leaks with soap and water solution. If a leak is detected, the airline may not be cut squarely or pushed all the way in. Tighten connections if needed.
- This compressor will become very HOT during and immediately after use. Do not touch this compressor with bare hands during and immediately after usage.
- This product is equipped with Automatic Reset Thermal Protection. In the event this unit reaches an unsafe operating temperature, thermal protector will cut power to prevent damage to the motor, and can automatically restart when temperature

returns to a safe operating level. When thermal protector is activated, stop operation for at least 30 minutes.

#### 4. TWO YEARS LIMITED WARRANTY

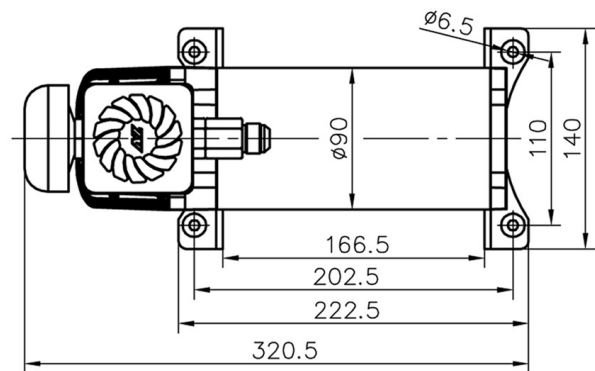
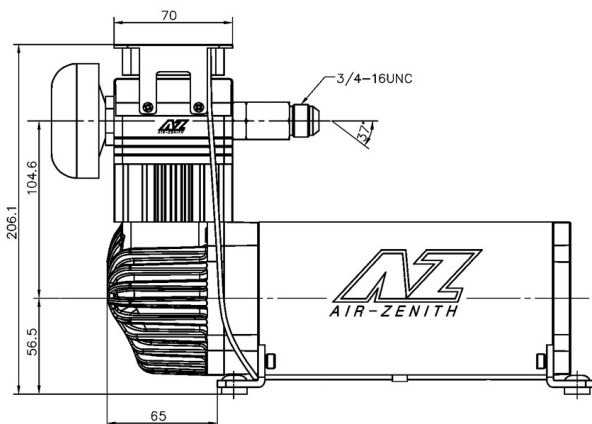
Air-Zenith warrants this product to be free from defects in material or workmanship under normal use and service; and limits the remedies to repair or replacement. This warranty shall extend for a period of two years from the original date of purchase, and is valid only within the continental limits of the United States and Canada.

Air-Zenith reserves the right to examine any warranty claim to determine the cause of failure. Air-Zenith's obligation under this warranty shall be limited to repairing, replacing, or crediting at its option any part proven defective. No labor, lift, service or storage charges will be reimbursed for any reason. Damages to Air-Zenith compressors resulting from misuse or abuse shall void this limited warranty. Any return freight charges must be prepaid by the customer. Air-Zenith shall not be liable for any damage or injury to persons or property resulting from improper installation or misuse of this product. If it is due to improper installation or misuse, a repair charge will be assessed and the customer will be contacted before work is performed or replacement parts are shipped.

#### 5. MERCHANDISE RETURN

A Return Goods Authorization Number (RGA) and Proof of Purchase (dated purchase receipt) are required for all warranty returns. Call Air-Zenith for RGA number:

AIR-ZENITH  
3010 West Post Road, Las Vegas, NV 89118, USA  
Telephone: (702) 270-7988  
Facsimile: (702) 270-7966  
Web Site: [www.air-zenith.com](http://www.air-zenith.com)



**[WWW.AIR-ZENITH.COM](http://www.air-zenith.com)**